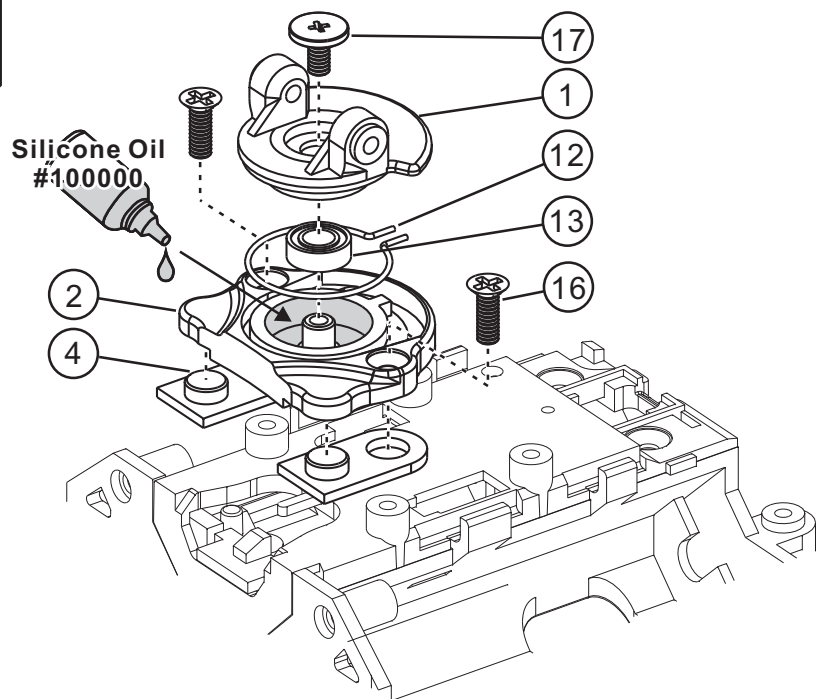




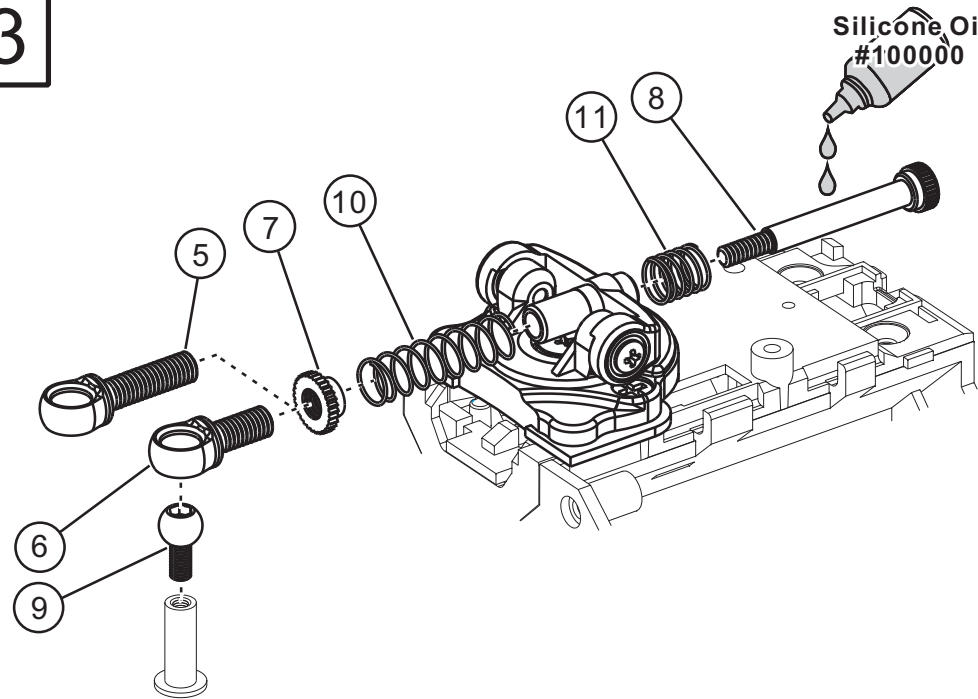
MR02/03 Self Centering Suspension System (S.C.S.) MR3-033

www.rcatomic.com

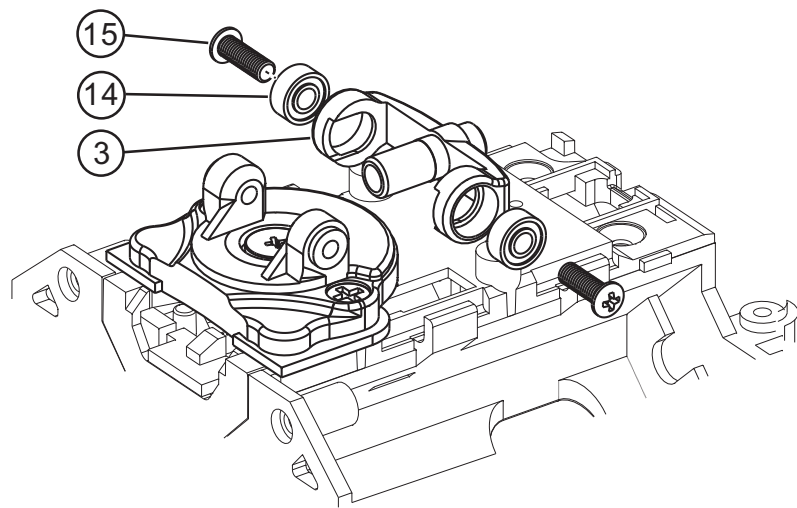
1



3



2



Packing Included

1. Damper Part A	x1	11. Rebound Spring	x1
2. Damper Part B	x1	12. Central Spring	x1
3. Damper Part C	x1	13. Bearing 3x6x2	x1
4. Holding Mount	x2	14. Bearing 2x5x2	x2
5. Ball End (98-102WB)	x1	15. M2x6 PM Screw	x3
6. Ball End (90-94WB)	x1	16. M2x4 KB Screw	x3
7. Damper Ring	x1	17. M2x4 CM Screw	x1
8. Damper Pin	x1	18. Silicone Oil #100000	x1
9. Pivot Ball	x1		
10. Skock Spring	x1		